

Tripod Turnstile



This is a Tripod Turnstile made of stainless steel, with induction identification, which can control the orderly passage of personnel through the gate rod, and is used for the entry and exit management of personnel.

Tripod Turnstile AT104

Technical Specifications

Product dimensions:	400*280*980mm; 1.31*0.92*3.22 ft (standard; customizable)
channel width	550 mm; 1.80 ft (standard)
Net weight of the turnstile:	25KG
Arm length:	510 mm; 1.67 ft (standard)
Materials:	304 stainless steel (standard), 316 stainless steel (customizable)
Surface treatment:	Brushed finish / Polished finish / Electroplating finish / Baking paint finish (customizable)
Turnstile Type:	Semi-automatic (standard) / Fully automatic (customizable)
Pass rate:	30-40 people/minute
Power supply: Input:	AC100V-240V, Output: DC24V, DC12V
Driven solenoid valve:	DC 24V
Enable signal:	Relay signal, 12V level or 12V pulse signal with a pulse width \geq 100ms (dry contact)
Communication method:	RS485
Work direction:	two-way (standard); one-way
Emergency:	Automatically lowers the swing arm after a power outage.
Operating temperature:	-35°C ~ 60°C; Relative humidity: 5% ~ 95%
Working environment:	Suitable for both indoor and outdoor use (rain shelter recommended).
Anti-reverse function:	Equipped with an anti-reverse function to ensure one card per person.

Feature

Traffic indication: The front LED remains green to indicate that the lane is available. If the lane is unavailable, it will turn red.

Emergency exit function: Allows free passage in case of emergency. The arm will automatically lower in the event of a power outage and can be manually reset after power is restored.

Work direction: unidirectional or bidirectional (optional)

Automatic reset function: After the gate is opened, the system will automatically lock if no one passes through within a specified time. The passage time is adjustable.

Anti-reverse passage: If someone attempts to enter in the opposite direction, the revolving door will remain locked.

Intrusion prevention: The door automatically locks before a valid open signal is sent.

Quick unlock: When a valid signal is received, the door will automatically unlock within 0.2 seconds (adjustable).

Hydraulic damper: Equipped with a hydraulic shock absorber, making operation quieter.

Mold Design: This mechanism utilizes a mold design, resulting in more precise components. This saves on labor costs and facilitates assembly.

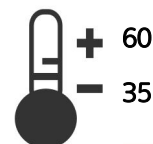
Traffic Mode: Both entry and exit directions can be independently set to **【Controlled Traffic】** / **【Free Traffic】** / **【No Traffic】** .

Passage request memory function: When two or more valid passage signals are given simultaneously (including same-direction and opposite-direction signals), the system will remember all passage requests and complete each passage action sequentially (the number of requests to remember and whether the memory function is selected can be customized according to customer requirements).

Safety features: Equipped with lightning protection and leakage protection functions.

Voice prompt function: Provides voice prompts when entering and exiting; multiple voice prompts can be set (customizable).

Interface Protocol: A free development kit protocol is provided, facilitating control and debugging, and offering strong scalability.



Customization

- 01 customized to meet customer site requirements.
- 02 Semi-automatic mechanisms can be replaced with fully automatic mechanisms.
- 03 Materials range from 304 stainless steel to 316 stainless steel (humid environment), or powder-coated iron. The outer paint finish can be painted to match the environment. LED lights can be added.
- 04 A mounting base can be added.
- 05 Openings can be customized to fit any reader.
- 06 Logo can be customized.
- 07 Customized renderings and installation dimensions can be provided based on site photos.
- 08 OEM and ODM services are available.
- 09 Integrated access control system (materials, surface treatments, and appearance dimensions).
- 10 Integrated ticketing system, integrated photo system, integrated temperature control system.
- 11 Installation of remote control buttons.
- 12 Installation of LED counters (internal or external optional).
- 13 Waterproof and dustproof design: IP65

Access control system

Our gates come with relays and RS485/RS232 interfaces. You can use your own access control system, or we can provide a complete access control system to you.



Remote control



RFID card



Button



Coin/card collection



Face recognition



Fingerprint recognition

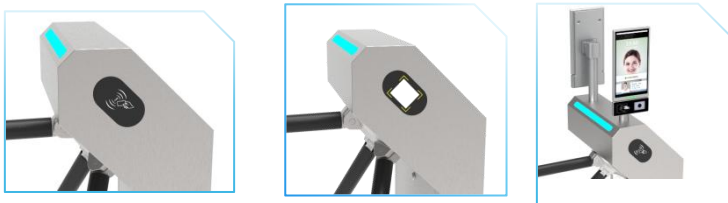


QR code/ barcode



Counter

We also offer customization services.



The card reader window can be customized for any card

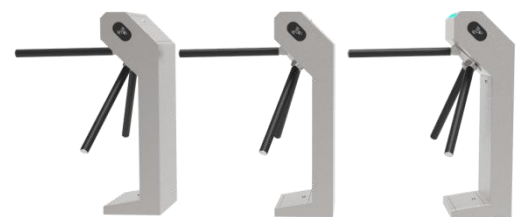


Custom colors are available, but you will need to provide RAL and RGB color charts.

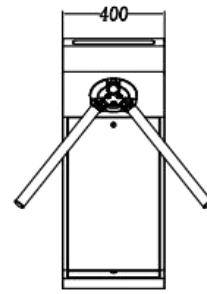
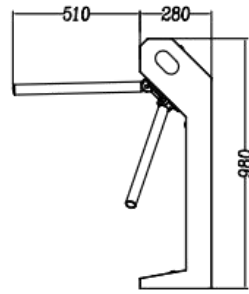
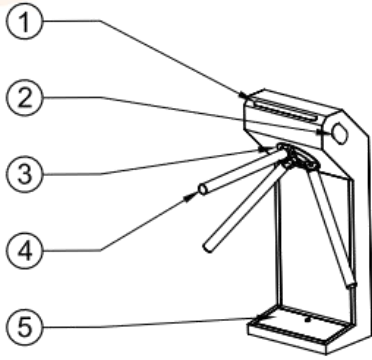


Black Grey Blue Green Red

Lane combination



Dimensional drawing



- ① LED RGB indicator
- ② Acrylic CARD Window
- ③ Turn ARM
- ④ Tripod sleeve
- ⑤ Position of Fixing Screw

Note: 1.The standard material is SUS304.Options are 316 stainless steel, Iron with powder coated
2.Lane width can be customized based on site requirement

Model:AT104



Email : info@aipadaturndstile.com Site: <https://aipadaturndstile.com> Tel :+86 191-2995-1956

